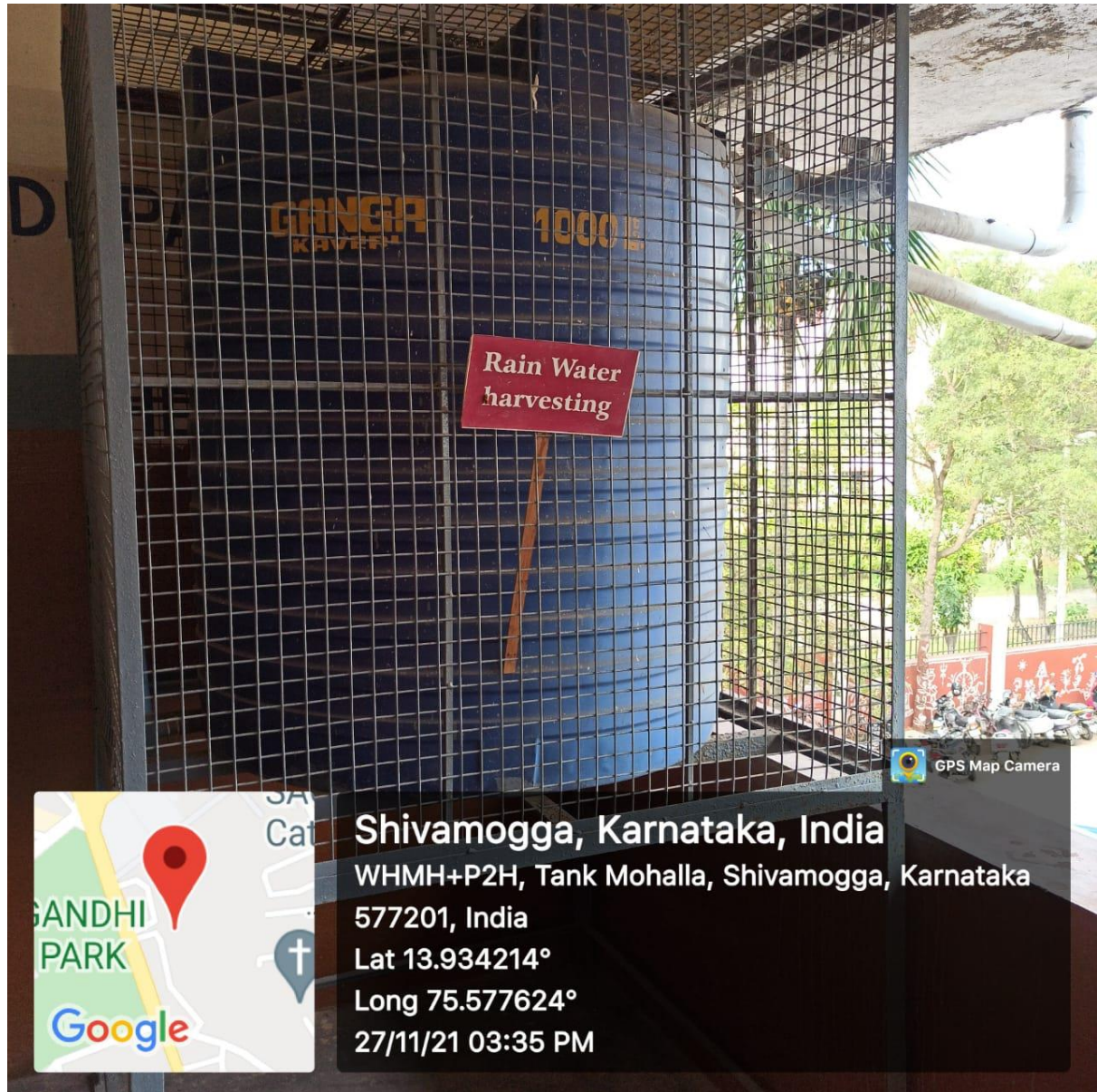




D.V.S. College of Arts and Science, Shivamogga
Sir M.V. Road, P.No.81, SHIVAMOGGA-577201, Karnataka State



Rain Water Collecting Tank near chemistry department



D.V.S. College of Arts and Science, Shivamogga
Sir M.V. Road, P.BNo.81, SHIVAMOGGA-577201, Karnataka State



Open well recharge



D.V.S. College of Arts and Science, Shivamogga
Sir M.V. Road, P.No.81, SHIVAMOGGA-577201, Karnataka State

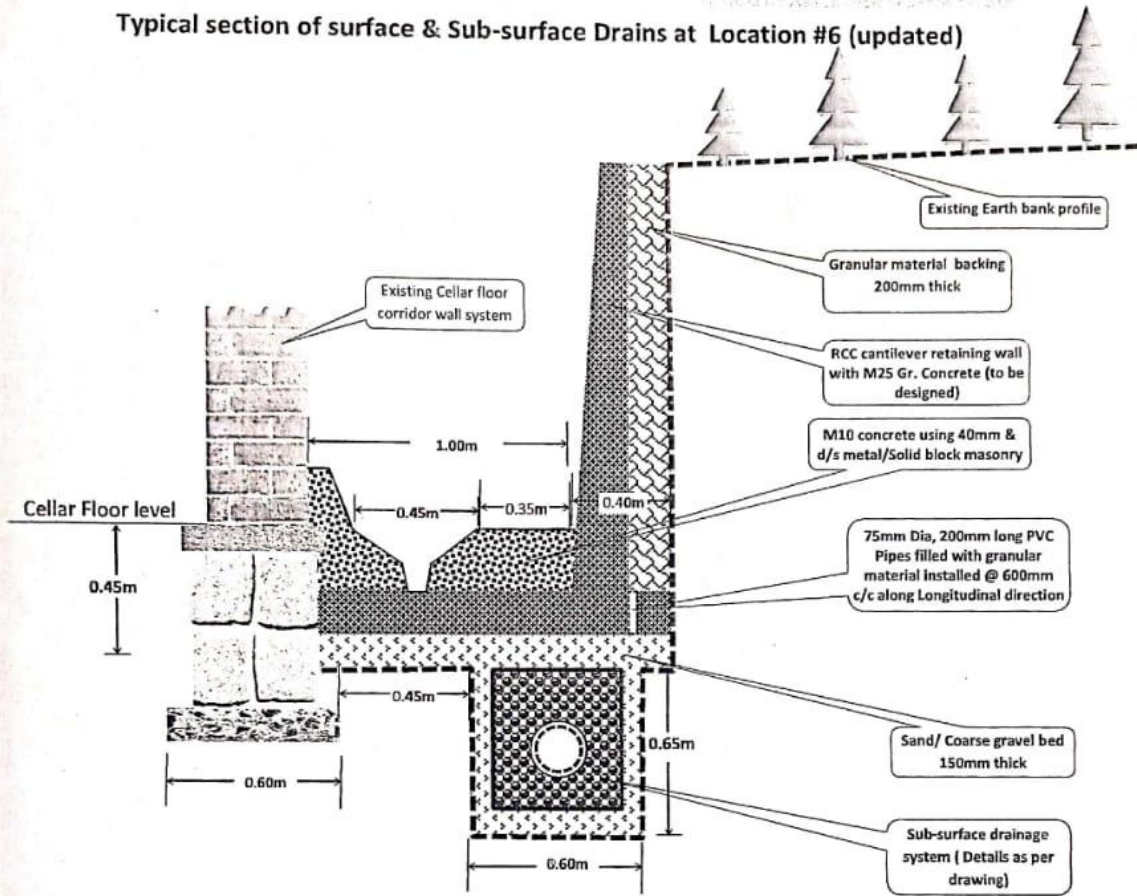


Bore well recharge

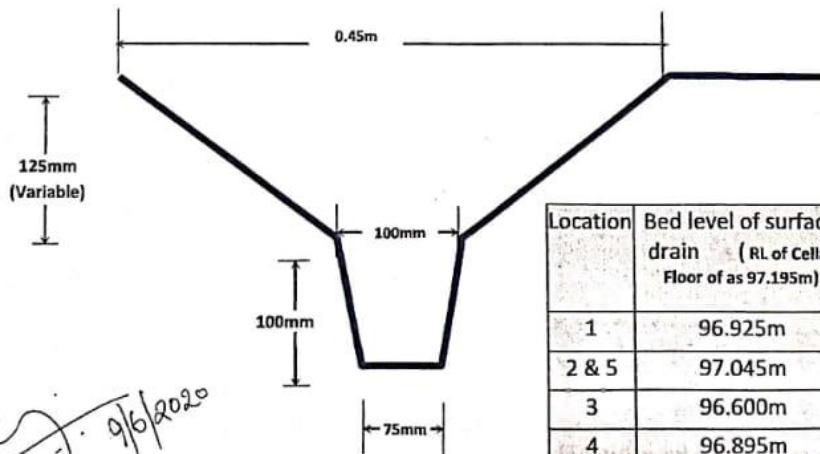


SHIVAKUMAR HAMPALI

Typical section of surface & Sub-surface Drains at Location #6 (updated)



Details of Surface drain(Typical)



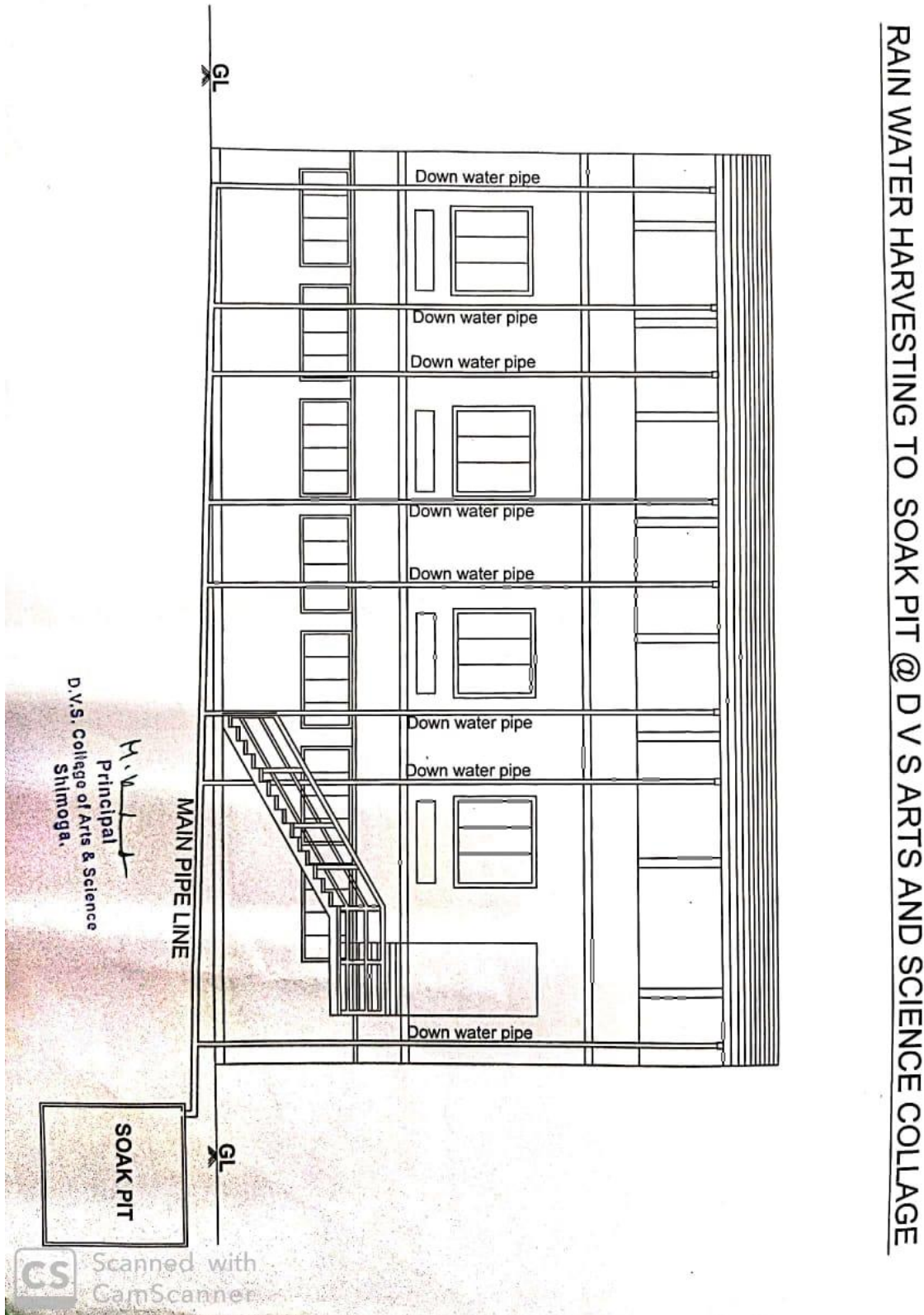
Location	Bed level of surface drain (RL of Cellar Floor of as 97.195m)	Depth of Drain bed w.r.to Cellar floor level
1	96.925m	270mm
2 & 5	97.045m	150mm
3	96.600m	210mm
4	96.895m	300mm
6	96.970m	225mm
Main drain bed level to be achieved:		96.895m

9/6/2020



D.V.S. College of Arts and Science, Shivamogga
Sir M.V. Road, P.No.81, SHIVAMOGGA-577201, Karnataka State

Planning copy of Rain water Harvesting



Planning copy of Rain water Soak Pit